

PRO-COM SERIES THERMOMETERS & PROBES

A range of professional, compact, lightweight thermometers and probes provide a choice of specifications to suit many different applications. See the details for the various models below:

All models feature

- Attractively styled, strong, lightweight moulded plastic case
- Hygienically smooth, splashproof surfaces.
- Backlit display.
- High accuracy – ambient operating temperature 0 to 50°C.
- Auto switch off and Low battery indicator.
- Compact Size: 124 x 66 x 23 mm.
- 9v MN1604 (PP3 battery).
- Battery life > 350 hours.
- 2 year warranty.



Applications

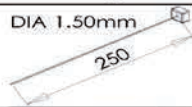
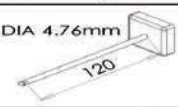

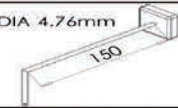
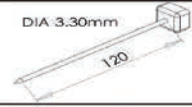





- Food Industry/HACCP
- Laboratory
- Engineering
- Chemical/Pharmaceutical
- Education
- Environmental
- Rubber/Plastics
- HVAC
- General Industry

Model	PC Temp K2	PC Temp T1	PC Temp PT1	PC Temp PT2 ¹
Range	-50 to + 1000°C	-50 to + 200°C	-30 to + 200°C	-30 to +200°C
Sensor Type	K thermocouple	T thermocouple	PT1000 (Plug-in probe)	PT1000 (Integral probe)
Resolution	0.1/1°C switchable	0.1° C	0.1° C	0.1° C
Accuracy	± 0.5°C ± 0.2% (-50 to + 200) ± 1°C ± 0.2% Elsewhere	± 0.3°C (-25 to +100) ± 0.5°C Elsewhere	Therm: ± 0.1°C ±0.1% Probe: ± 0.15°C ± 0.2%	± 0.2°C (-30 to +100) ± 0.4°C (+100 to +200)

¹ Stated accuracy for PC Temp PT2 is the **system** accuracy. Model is supplied complete with UKAS traceable calibration certificate.

Accessories: System calibration certificates traceable to UKAS; THCC executive style carrying case; THFB protective rubber boot; THCCS carrying pouch with belt clip; Probe wipes.

Standard probe selection:

Probe No.	Description	Image	Probe No.	Description	Image
TP 101	Immersion M.I. flexible sheath fast response -150 TO +850°C		TP 106	Surface spring loaded -75 to +800°C	
TP 102	Insertion fast response -75 TO +250°C		TP 107	Surface right angle spring loaded -75 TO +800°C	
TP 103	Insertion high temperature -75 TO 900°C		TP 108	Exposed junction PTFE insulation – 1metre -75 to +250°C	
TP 104	Insertion heavy duty with 3mm stepped tip -75 TO 700°C		TP 109	Exposed junction fibre glass insulation – 1 metre -60 to +350°C	
TP 105	Air fast response -75 to +350°C		TP 100	Coiled extension lead with plug and socket 1 metre	

Please note that type 'K' probes should be used with PC Temp K2 thermometer and type 'T' probes with PC Temp T1. Similarly for extension leads. To order probes, add 'K' or 'T' after the codes as illustrated above to specify the type you require. Customised probes available on request.

Contact the sales department and ask for information on complementary instrumentation
E.g. Infrared thermometers, temperature calibration sources, manometers. Other parameters include %RH, air velocity, pH, light, sound, rpm. Data logging/portable options available.